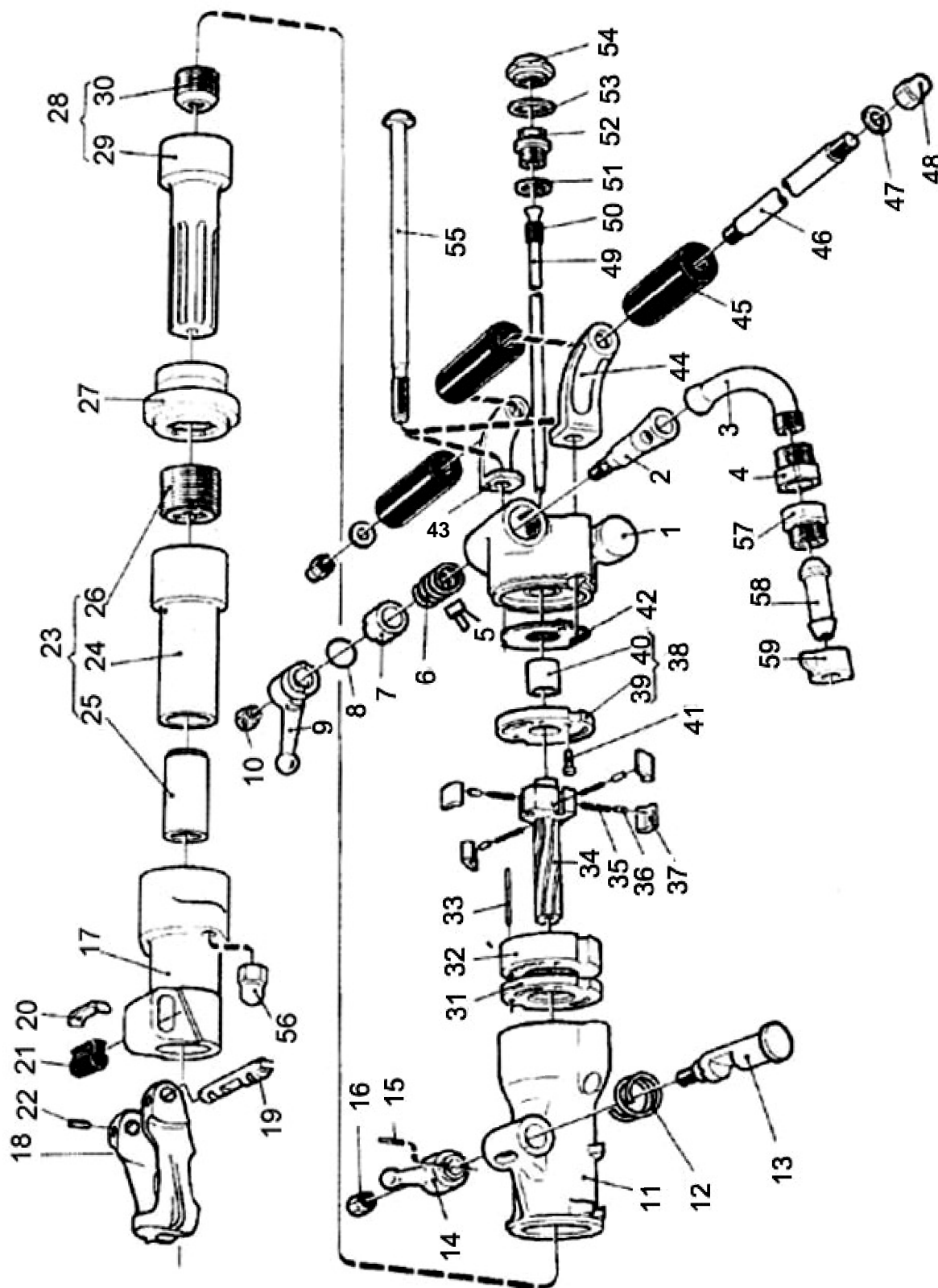




**Replacement Parts for Atlas Copco
Rock Drill Model- VK-65**

AN ISO 9001 : 2015 CERTIFIED COMPANY

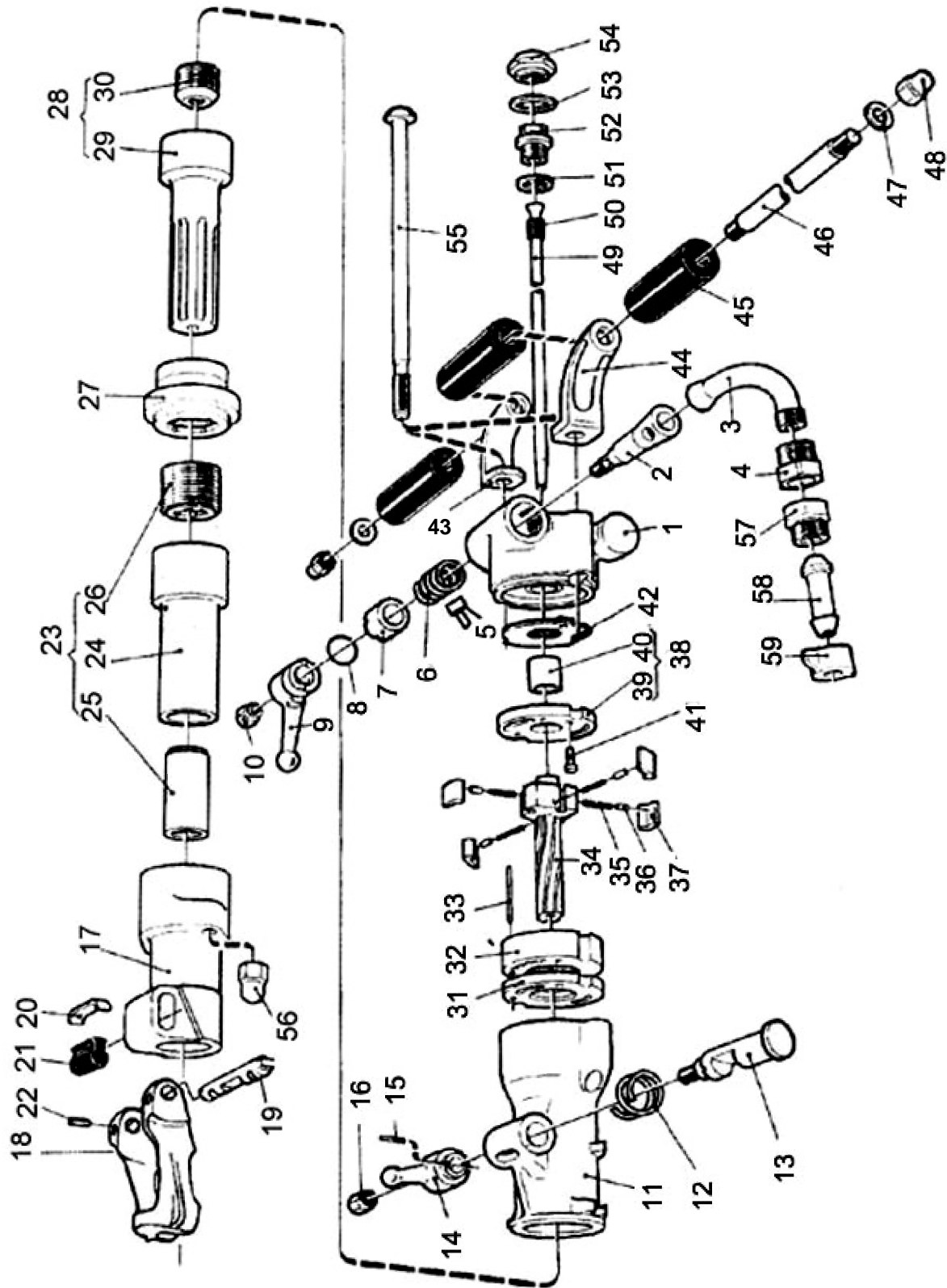
1. Hand Held Rock Drill (Jack Hammer) Model VK-65



1. Hand Held Rock Drill (Jack Hammer) Model VK-65

No.	Description	Ref. Part No.	QTY
--	Back Head Compl.	3115056981	1
1	-- Back Head	3115056900	1
2	-- Throttle Valve	3121034900	1
3	-- Inlet Nipple	3101137100	1
4	-- Adapter	3101137000	1
5	-- T.Pin	3121032900	1
6	-- Spring for Th.Valve	3111013600	1
7	-- Lock Washer	3121033200	1
8	-- O-Ring	0663212800	1
9	-- Lever Handle Top	3115057300	1
10	-- Conical Nut	3006873400	1
11	Cylinder	3121033700	1
12	Spring for Outlet Valve	3121033800	1
13	Outlet Valve	3106994900	1
14	Lever Handle Bottom	3106995000	1
15	Elastic Pin	0108333000	1
16	Conical Nut	3006873400	1
17	Front Head	3121034200	1
18	Retainer	3121085100	1
19	Retainer Pin	3121085200	1
20	Buffer Plate	3121002900	1
21	Rubber Buffer	3121003000	1
22	Tension Pin	0108339200	2
23	Rotation Chuck Compl.	3121076980	1
24	-- Rotation Chuck	3121076900	1
25	-- Chuck Bushing	3121002300	1
26	-- Chuck Nut	3115122100	1
27	Intermediate Part	3121033900	1
28	Piston Compl.	3100847880	1
29	-- Piston	3100847800	1
30	-- Rifle Nut	3100929905	1
31	Guide Disc	3106868300	1
32	Ratchet Ring	3106868200	1
33	Pin for Ratchet Ring	0108133600	1
34	Rifle Bar	3101315400	1
--	Pawl Set	3115920090	1
35	-- Pressure Spring	3100914002	4
36	-- Plunger	3100964101	4
37	-- Pawl	3101315900	4
38	Cover Compl.	3106868080	1
39	-- Cover	3106868000	1
40	-- Bushing	3100989401	1
41	-- Guide Pin	3100966500	1
42	Main Valve	3106868100	1
--	Bracket Set	3121034445	1
43	-- Bracket (Right)	3121034500	1
44	-- Bracket (Left)	3121034400	1
45	Rubber Grip	3101137200	3
46	Handle Bolt	3121036000	1
47	Washer	3000011901	2
48	Dome Nut	3121029200	2
49	Air Flushing Tube	3121035200	1
50	Rubber Packing	3121033600	1
51	Seal Washer (Small)	3000934102	1
52	Adopter	3100962301	1
53	Seal Washer (Large)	3101414600	1
54	Protective Nut	3100964301	1
55	Side Bolt	3121034300	2

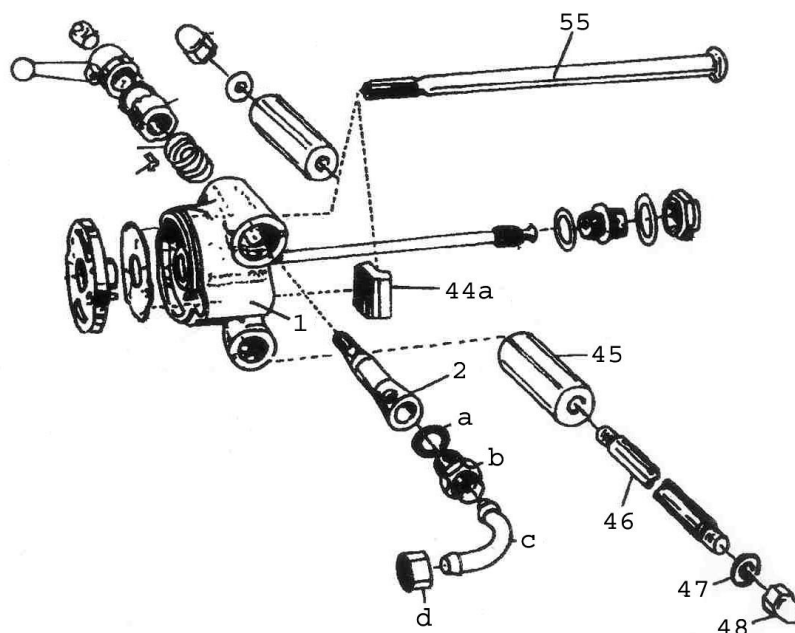
1. Hand Held Rock Drill (Jack Hammer) Model VK-65



1. Hand Held Rock Drill (Jack Hammer) Model VK-65

No.	Description			Ref. Part No.	QTY
56	Dome Nut			3121029200	2
57	Adopter			9000035000	1
58	Hose Nipple			9000032500	1
59	Wing Nut			9000033800	1

2. Optional



No.	Description			Ref. Part No.	QTY
For Short Type Handle					
44a	Washer for Bracket			3115057400	2
For Bend New Type					
a	Washer			3115104500	1
b	Adapter			9000034500	1
c	Hose Nipple			3115117000	1
d	Coupling Nut			9000033300	1



Vikay Mining Equipments

2/5 Vyas Wadi, Dadabhai Road, Vile Parle (West), Mumbai - 400 056. INDIA.

Tel. : +91 - 22 - 2623 7205 / 2624 3729 Fax : +91 - 22 - 2671 6507 / 2671 9985

Email : vkmining@vsnl.com / vkmining@gmail.com Website : www.vikayindia.com

