

7. Tube Assemblies & Fittings

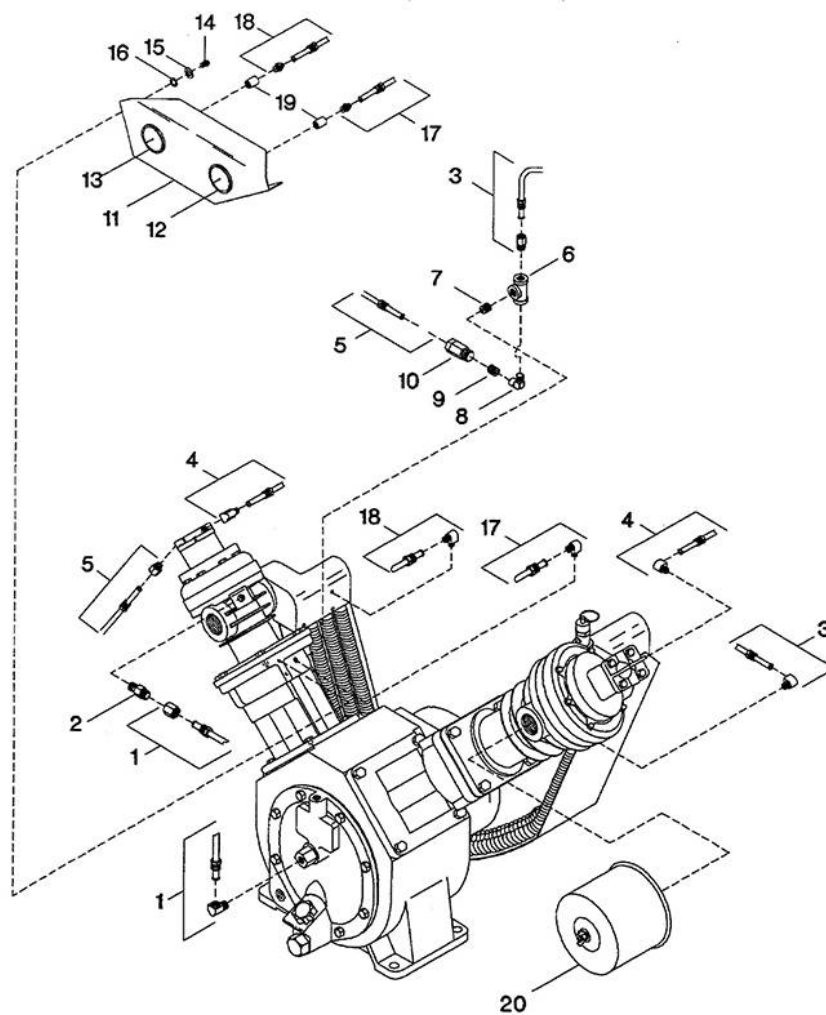


FIGURE 7. TUBE ASSEMBLIES & FITTINGS.

7. Tube Assemblies & Fittings

Figure 7. Tube Assemblies & Fittings.			
Ref. No.	Part No.	Description	Units Per Assy.
7-1	32241531	Assembly, Tube - Cylinder Relief Valve/Pilot Valve - Completer	1
7-2	32225567	Valve, Cylinder Relief	1
7-3	32239998	Assembly, Tube - Distance Piece - Complete	1
7-4	32241515	Assembly, Tube - High Pressure/Low Pressure Constant Speed Unloaders - Completer	1
7-5	32241507	Assembly, Tube - Distance Piece/Constant Speed Unloader - Completer	1
7-6	95298485	Tee, Pipe - 1/4'	1
7-7	95426714	Nipple, Close - 1/4 X 7/8'	1
7-8	32225716	Elbow, Reducing - 1/4 X 1/8'	1
7-9	95242491	Nipple, Close - 1/8 X 3/4'	1
7-10	32001141	Valve, Check	1
7-11	32018806	Panel, Gauge	1
7-12	32020554	Gauge, Pressure - Distance Piece	1
7-13	32020547	Gauge, Pressure - Intercooler	1
7-14	32225229	Capscrew - M6 X 12	4
7-15	32225310	Washer, Flat - 6Mm	4
7-16	32225302	Washer, Lock - 6Mm	4
7-17	32239972	Assembly, Tube - Distance Piece/Pressure Gauge - Completer	1
7-18	32239980	Assembly, Tube - Intercooler/Pressure Gauge - Completer	1
7-19	32131674	Coupling, Pipe - 1/8'	2
7-20	32109779	Filter, Inlet - Complete (See Figure 9, Page 15)	1

All manufacturer's names, numbers, photos, product description and/or part numbers are used for reference purposes only & it is not implied that any part listed is the product of these manufacturers. Since Approvement are made from time to time, the illustration and specifications are subject to change without notice.