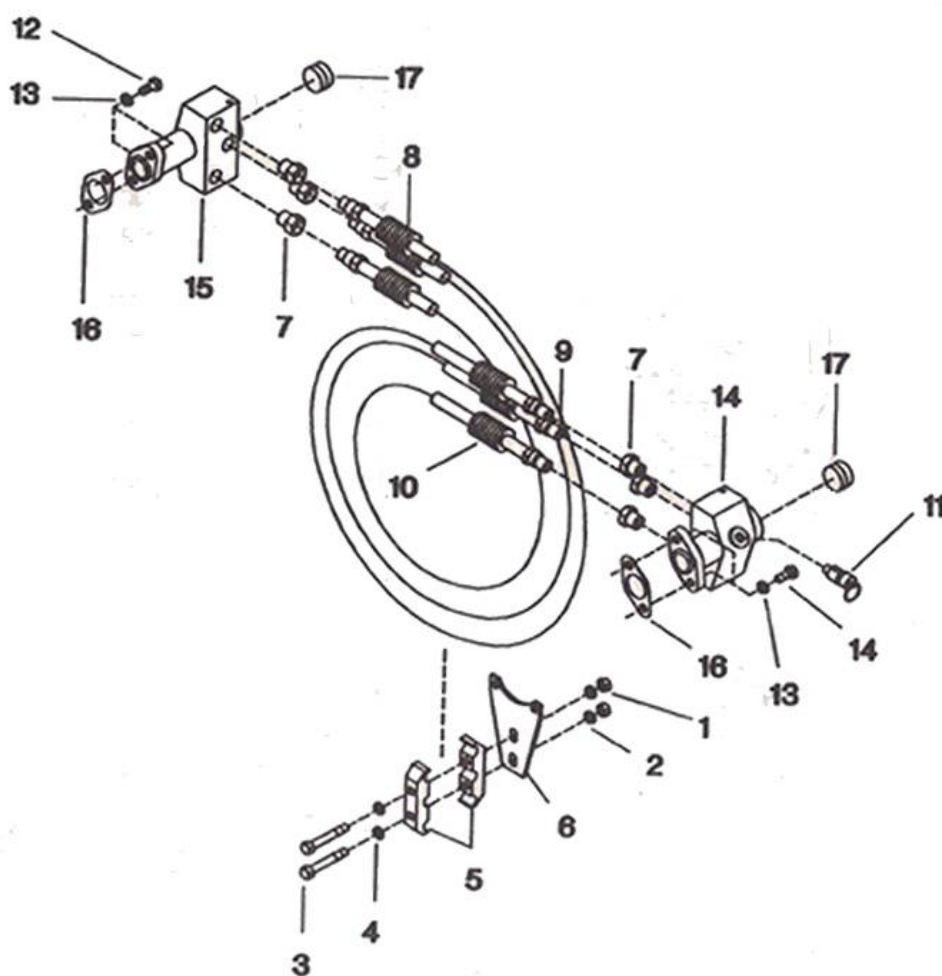


5. Intercooler Assembly - Model 2540



All manufacturer's names, numbers, photos, product description and/or part numbers are used for reference purposes only & it is not implied that any part listed is the product of these manufacturers. Since Approvement are made from time to time, the illustration and specifications are subject to change without notice.

5. Intercooler Assembly - Model 2540

Figure 5. Intercooler Assembly			
Ref. No.	Part No.	Description	Units Per Assy.
5-1	Nut - Hex 3/8-16	95077764	2
5-2	Lockwasher, Spring - 3/8"	95081857	2
5-3	Capscrew - Hex 3/8-16x 2-1/2"	95079646	2
5-4	Washer, Flat - 3/8"	95069597	2
5-5	Clamp - Intercooler Tube Outer	94467750	1
5-6	Bracket - Intercooler Clamp	32182891	1
5-7	Connector, Male - 5/8 X 1/2"	95083226	6
5-8	Tube Assembly # 3 Intercooler	32211708	1
5-9	Tube Assembly # 2 Intercooler	32211690	1
5-10	Tube Assembly # 1 Intercooler	32211682	1
5-11	Valve Relief - 60 Psig	97048094	1
5-12	Capscrew - Hex 3/8 - 16 X 1"	95079612	4
5-13	Lockwasher, Spring - 3/8"	95081857	4
5-14	Manifold - 1st Stage Airhead	32185787	1
5-15	Manifold - 2nd Stage Airhead	32185795	1
5-16	Gasket, Manifold	32188377	2
5-17	Plug, Pipe - Square Countersunk 1"	95101457	2

All manufacturer's names, numbers, photos, product description and/or part numbers are used for reference purposes only & it is not implied that any part listed is the product of these manufacturers. Since Approvement are made from time to time, the illustration and specifications are subject to change without notice.