

## 8.INTERCOOLER ASSEMBLY - 10T3NLM

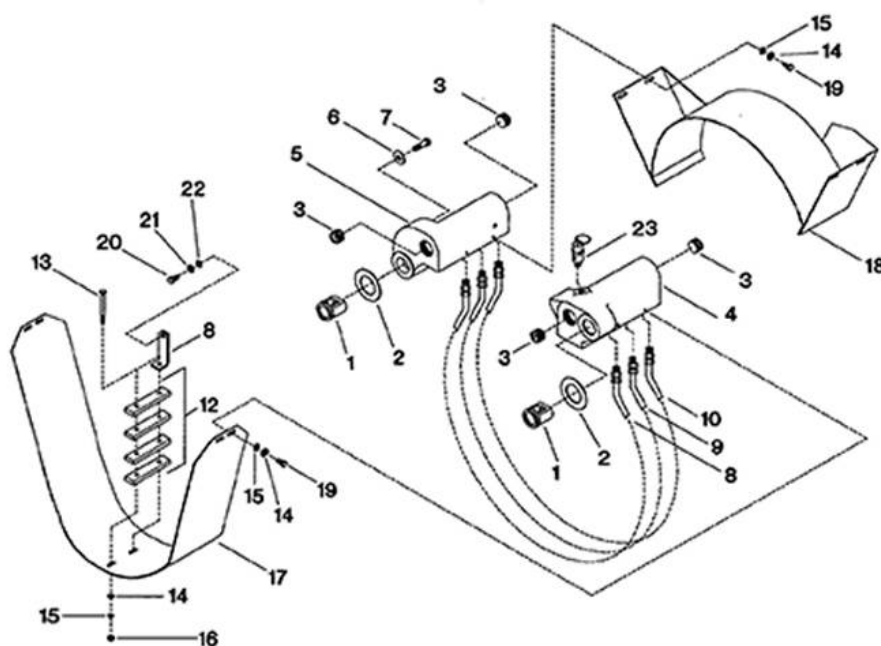


FIGURE 8. INTERCOOLER ASSEMBLY.

## 8.INTERCOOLER ASSEMBLY - 10T3NLM

FIGURE 8. INTERCOOLER ASSEMBLY.			
Ref. No.	Part No.	Description	Units Per Assy.
8-1	32225948	Connection, Manifold	2
8-2	30294821	Gasket, Manifold	2
8-3	95033304	Plug, Pipe - Countersunk	4
8-4	32222622	Manifold, Intercooler - Low Pressure	1
8-5	32222630	Manifold, Intercooler - High Pressure	1
8-6	32225328	Washer, Copper - 12mm	2
8-7	32225252	Capscrew - M12 X 35	2
8-8	32241697	Assembly, Tube - Completet	4
8-9	32241564	Assembly, Tube - Completet	3
8-10	32241671	Assembly, Tube - Completet	4
8-11	32226060	Brace, Intercooler Clamp	1
8-12	37140175	Clamp, Intercooler Tube	4
8-13	32225260	Capscrew - M6 X 100	2
8-14	32225310	Washer, Flat - 6mm	10
8-15	32225302	Washer, Lock - 6mm	10
8-16	32225294	Nut, Hex - 6mm	2
8-17	32222390	Shroud, Intercooler - Bottom	1
8-18	37140027	Shroud, Intercooler - Top	1
8-19	32225229	Capscrew - M6 X 12	8
8-20	32225237	Capscrew - M8 X 16	1
8-21	32226086	Washer, Flat - 8mm	1
8-22	32226094	Washer, Lock - 8mm	1
8-23	72062151	Valve, Relief - 60 Psig	1