

7. Tube Assemblies - 10T3NLM

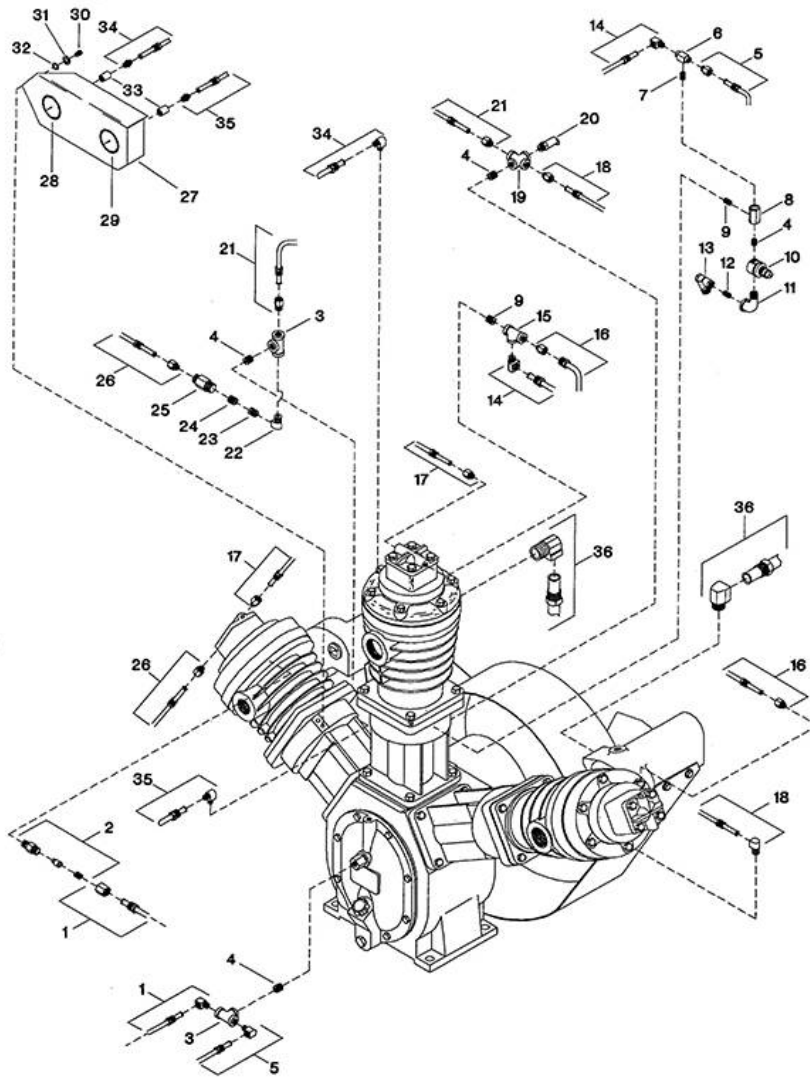


FIGURE 7. TUBE ASSEMBLIES.

7. Tube Assemblies - 10T3NLM

| FIGURE 7. Tube Assemblies. | | | |
|-----------------------------------|-----------------|--|------------------------|
| Ref. No. | Part No. | Description | Units Per Assy. |
| 7-1 | 32241622 | Assembly, Tube - Cylinder Relief Valve/Pilot Valve -Completet | 1 |
| 7-2 | 32225567 | Valve, Cylinder Relief | 1 |
| 7-3 | 95298485 | Tee, Pipe - 1/4" | 2 |
| 7-4 | 95426714 | Nipple, Close - 1/4 X 7/8° | 4 |
| 7-5 | 32241614 | Assembly, Tube - Pilot Valve/Shuttle Valve - Completet | 1 |
| 7-6 | 37007572 | Valve, Shuttle | 1 |
| 7-7 | 95242491 | Nipple, Close | 1 |
| 7-8 | 32225799 | Valve, Intercooler Vent | 1 |
| 7-9 | 95242491 | Nipple, Close - 1/8 X 3/4' | 2 |
| 7-10 | 32225807 | Regulator | 1 |
| 7-11 | 32231060 | Elbow, Reducing - 3/8 X 1/8" | 1 |
| 7-12 | 32225823 | Nipple, Pipe - 1/4 X 1/8" | 1 |
| 7-13 | 32225831 | Filter | 1 |
| 7-14 | 32241630 | Assembly, Tube - Shuttle Valve/Low Pressure Constant Speed Unloader - Completet | 1 |
| 7-15 | 95063418 | Tee, Pipe - 1/8" | 1 |
| 7-16 | 32241721 | Assembly, Tube - Constant Speed Unloader - Lp/Lp - Completet | 1 |
| 7-17 | 32241655 | Assembly, Tube - Constant Speed Unloader - Lp/Hp - Completet | 1 |
| 7-18 | 32241705 | Assembly, Tube - Distance Piece - Lp/Lp - Completet | 1 |
| 7-19 | 32127201 | Cross, Pipe - 1/4" | 1 |
| 7-20 | 72062151 | Valve, Relief - 60 Psig | i |
| 7-21 | 32241713 | Assembly, Tube - Distance Piece - Lp/Hp - Complete\$ | 1 |
| 7-22 | 32225716 | Elbow, Reducing - 1/4 X 7/8" | 1 |
| 7-23 | 95038030 | Bushing, Reducing | 1 |
| 7-24 | 32225666 | Bushing | 1 |
| 7-25 | 32001141 | Valve, Check | 1 |
| 7-26 | 32241648 | Assembly, Tube - Distance Piece/Csu - Completet | 1 |
| 7-27 | 37140068 | Panel, Gauge | 1 |
| 7-28 | 32020547 | Gauge, Pressure - Intercooler | 1 |
| 7-29 | 32020554 | Gauge, Pressure - Discharge | 1 |
| 7-30 | 32225229 | Capscrew - M6 X 12 | 4 |
| 7-31 | 32225310 | Washer, Flat - 6mm | 4 |
| 7-32 | 32225302 | Washer, Lock - 6mm | 4 |
| 7-33 | 32131674 | Coupling, Pipe - 1/8° | 2 |
| 7-34 | 32241572 | Assembly, Tube - Intercooler/Pressure Gauge - Completet | 1 |
| 7-35 | 32241580 | Assembly, Tube - Distance Piece/Pressure Gauge - Completet | 1 |
| 7-36 | 32241663 | Assembly, Tube - Lp Manifold/Cylinder - Completet | 1 |

All manufacturer's names, numbers, photos, product description and/or part numbers are used for reference purposes only & it is not implied that any part listed is the product of these manufacturers. Since Approval are made from time to time, the illustration and specifications are subject to change without notice.