

1.Compressor Frame Assembly - 10T3NLM

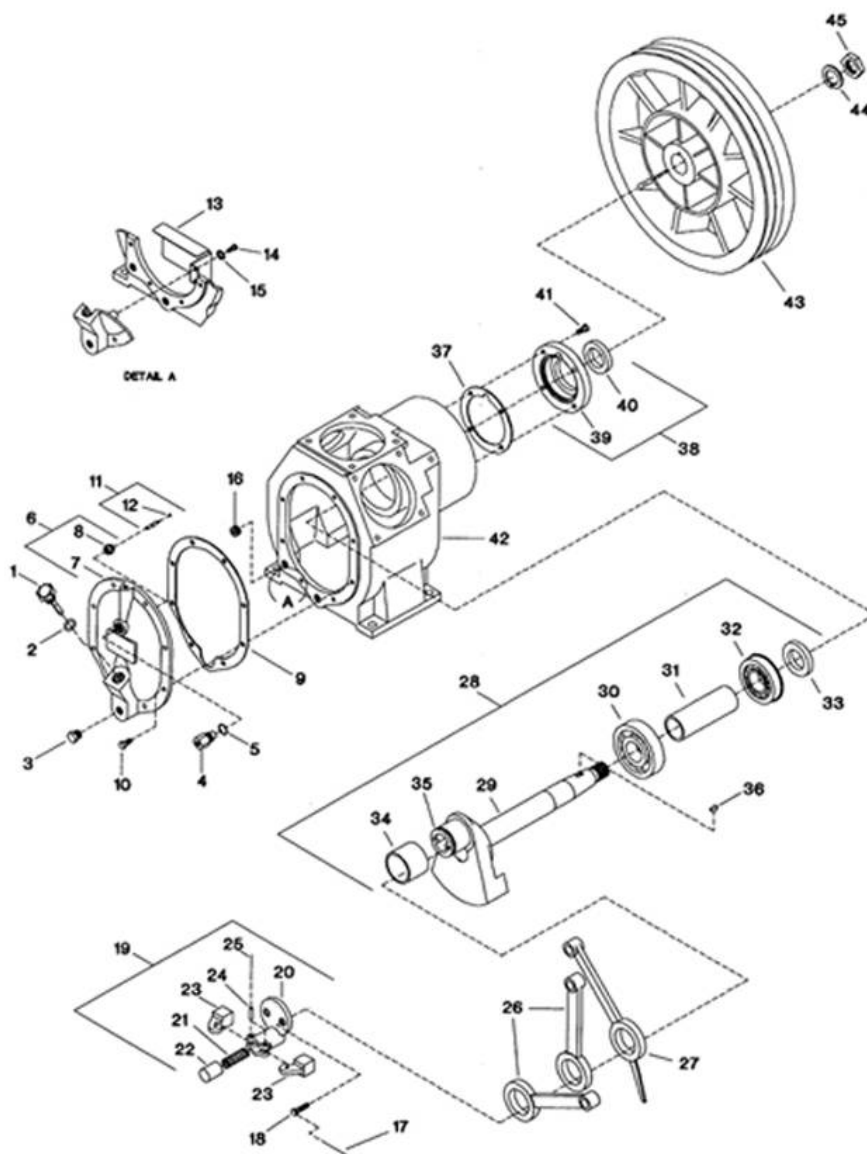


FIGURE 1. COMPRESSOR FRAME ASSEMBLY

1.Compressor Frame Assembly - 10T3NLM

Figure 1 : Compressor Frame Assembly			
Ref. No.	Part No.	Description	Units Per Assy.
1-1	32222465	Plug, Oil Gauge	1
1-2	32225476	O-Ring, Oil Gauge	1
1-3	95033445	Plug, Pipe - Hex Head - 1/2"	1
1-4	32250144	Assembly, Pilot Valve	1
1-5	32225500	Washer, Copper - Pilot Valve	1
1-6	32222499	Assembly, Frame End Cover	1
1-7	32222424	• Cover, Frame End	1
1-8	32222432	• Bushing, Pilot Valve	1
1-9	30439269	Gasket, Frame End Cover	1
1-10	32225187	Capscrew - M10 X 25	8
1-11	32255127	Assembly, Thrust Pin	1
1-12	32225492	O-Ring, Thrust Pin	1
1-13	30290043	Baffle, Low Oil Level Switch	1
1-14	32225203	Capscrew - M6 X 10	2
1-15	32225302	Washer, Lock - 6mm	2
1-16	32179020	Plug, Pipe - Countersunk Hex Head	1
1-17	37605193	Lockwire - 12ga	5"
1-18	32225179	Capscrew - M10 X 20	2
1-19	32222812	Assembly, Crankpin Cap	1
1-20	32222457	• Body, Crankpin Cap	1
1-21	30815898	• Spring, Centrifugal Unloader	1
1-22	32222440	• Plunger, Centrifugal Unloader	1
1-23	30220875	• Weight, Centrifugal Unloader	2
1-24	30214951	• Pin, Centrifugal Unloader Weight	2
1-25	37605185	• Lockwire - 12ga	5"
1-26	32222382	Rod, Connecting - Low Pressure	2
1-27	32222374	Rod, Connecting - High Pressure	1
1-28	32222762	Assembly, Crankshaft	1
1-29	NSS	• Assembly, Disc & Shaft	1
1-30	95305660	• Bearing, Ball	1
1-31	30218424	• Spacer, Crankshaft/Bearing	1
1-32	95214003	• Bearing, Ball - W/Snap Ring	1
1-33	30217004	• Ring, Bearing Retainer	1
1-34	37002342	• Bushing, Crankpin	1
1-35	32185803	• Loctite 609 - Tube- For Crankpin Bushing Assembly	.5 MIL
1-36	32226144	Key, Woodruff	1
1-37	30295174	Gasket, Shaft End Cover	1
1-38	32222606	Assembly, Shaft End Cover	1
1-39	NSS	• Cover, Shaft End	1
1-40	32204554	• Seal, Oil	1
1-41	32225187	Capscrew - M10 X 25	4
1-42	32222515	Frame, Compressor	1
1-43	32222770	Wheel, V-Belt	1
1-44	32225369	Washer, Lock - Beltwheel	1
1-45	32222523	Nut - Beltwheel	1

All manufacturer's names, numbers, photos, product description and/or part numbers are used for reference purposes only & it is not implied that any part listed is the product of these manufacturers. Since Approvement are made from time to time, the illustration and specifications are subject to change without notice.